

Cabinet list showroom

1	CST60005R	Consumables	500
2	NCB60001N	Non-consumables	500
3	NCW60009N	Non-consumables	500
4	CLB60002N	Cleaning	1000
5	NCW60010N	Cleaning	1000
6	PRB60005N	Preparation	1000
7	NCW60007R	Preparation	500
8	NCW60009N	Preparation	500
9	CKB60003N	Cooking	800
10	CKB60002N	Cooking	600
11	NCW60007R	Cooking	600
12	NCW60008N	Cooking	800

Remaining storage items (unassigned storage items):



Knives



Oil/Vinegar



Spices



Paper towels, foil,  
bags



Casserole dishes



Oven gloves



Cookbooks



by Blum

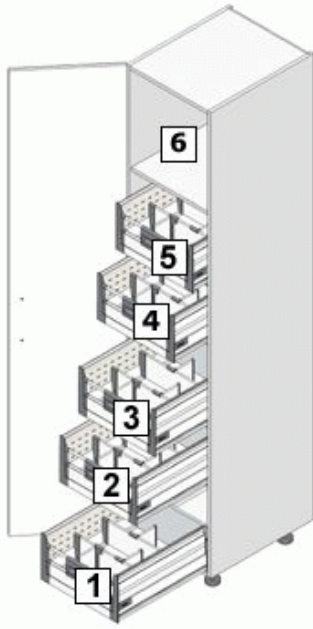
Layout plan showroom



Consumables zone

Cabinet name: CST60005R

Outside cabinet width: 500



by Blum

Level 6:



Snack food

Level 5:



Tinned goods

Level 4:



Side-dishes



Ingredients

Level 3:



Musli/Cereal

Level 2:



Pre-prepared foodstuffs

Level 1:



Beverages

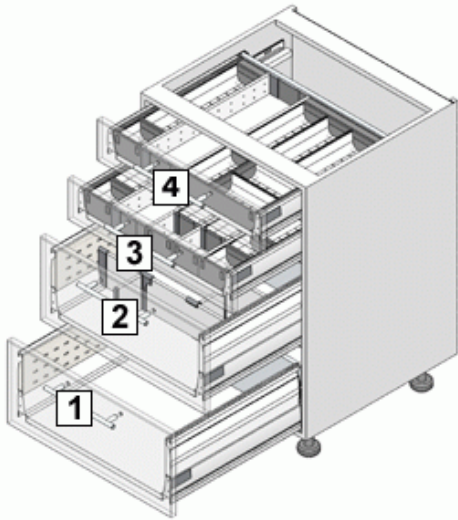
Layout plan showroom



Non-consumables zone

Cabinet name: NCB60001N

Outside cabinet width: 500



by Blum

Level 4:



Cutlery

Level 3:

Level 2:



Empty containers

Level 1:



Small electrical appliances

Layout plan showroom

Level 3:



Non-consumables zone

Cabinet name: NCW60009N

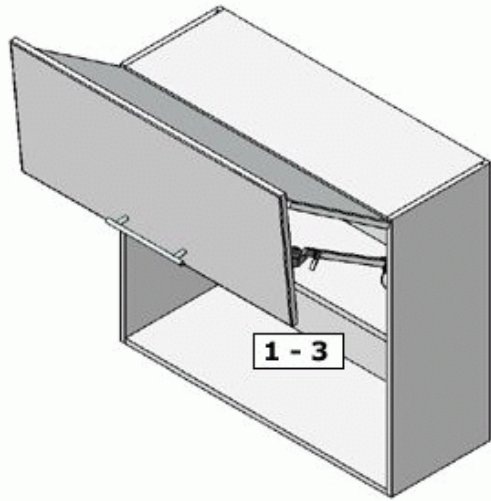
Outside cabinet width: 500



Coffee/Tea



Bread



Level 2:



Glasses



Coffee/tea service

Level 1:



Plates



Small bowls



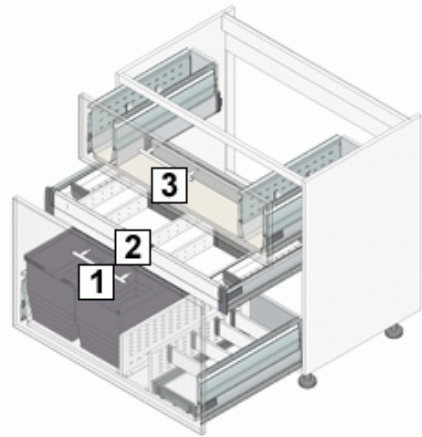
by Blum



Cleaning zone

Cabinet name: CLB60002N

Outside cabinet width: 1000



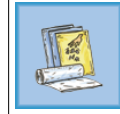
Cleaning utensils  
small



Washing-up liquid



Towels



Rubbish bags



Shopping bags



Cleaning materials



Rubbish



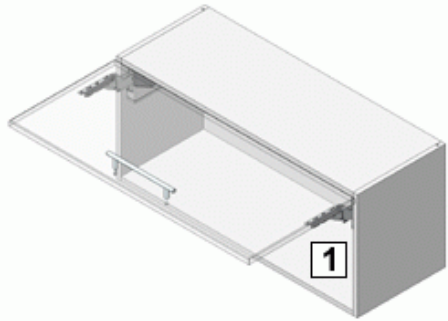
by Blum



Cleaning zone

Cabinet name: NCW60010N

Outside cabinet width: 1000



by Blum

Layout plan showroom

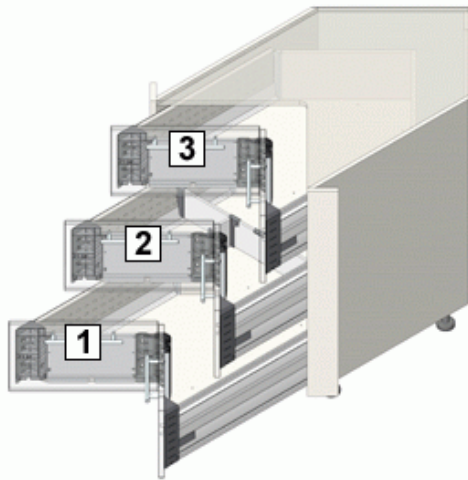
Level 3:



Preparation zone

Cabinet name: PRB60005N

Installation dimension: 1000



Large bowls



Scales

Level 2:



Open ingredients

Level 1:



Cutting boards



by Blum

Layout plan showroom

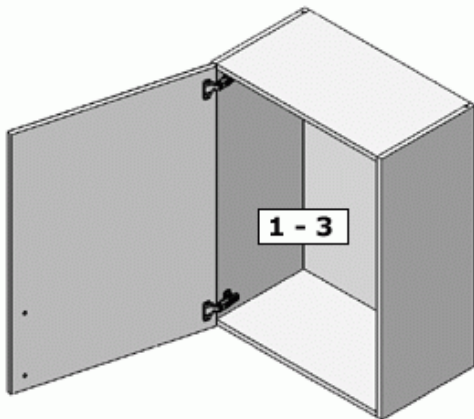
Level 3:



Preparation zone

Cabinet name: NCW60007R

Outside cabinet width: 500



Level 2:

Level 1:



by Blum



Layout plan showroom

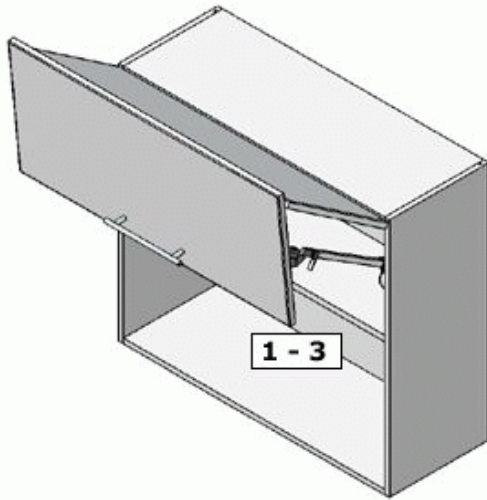
Level 3:



Preparation zone

Cabinet name: NCW60009N

Outside cabinet width: 500



Level 2:

Level 1:



by Blum

Layout plan showroom



Cooking zone

Cabinet name: CKB60003N

Outside cabinet width: 800

Level 4:



Cooking utensils



Kitchen utensils

Level 3:



Kitchen tools

Level 2:



Pans

Level 1:



Pots



by Blum

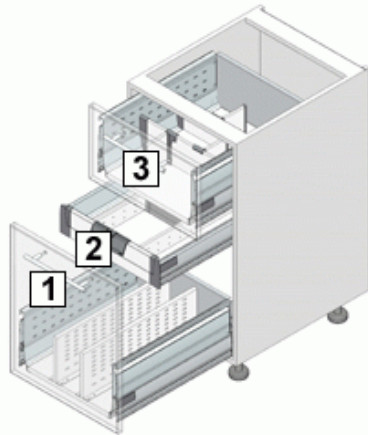
Layout plan showroom



Cooking zone

Cabinet name: CKB60002N

Outside cabinet width: 600



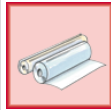
by Blum

Level 3:



Baking ingredients

Level 2:

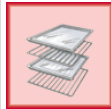


Baking foil



Baking utensils

Level 1:



Baking trays



Baking tins

Layout plan showroom

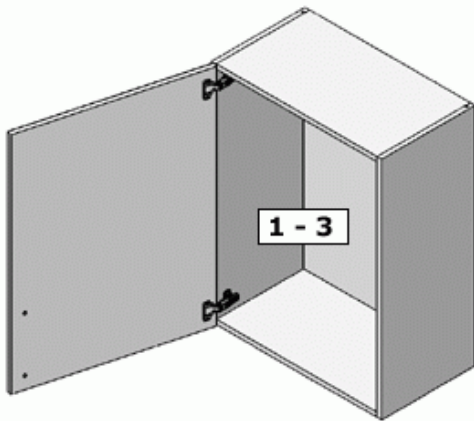
Level 3:



Cooking zone

Cabinet name: NCW60007R

Outside cabinet width: 600



Level 2:

Level 1:



by Blum

Layout plan showroom

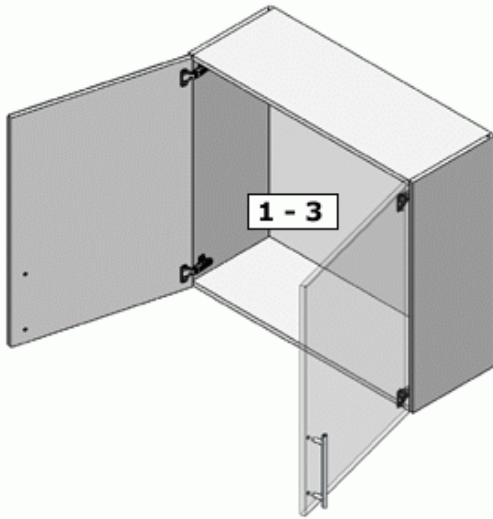
Level 3:



Cooking zone

Cabinet name: NCW60008N

Outside cabinet width: 800

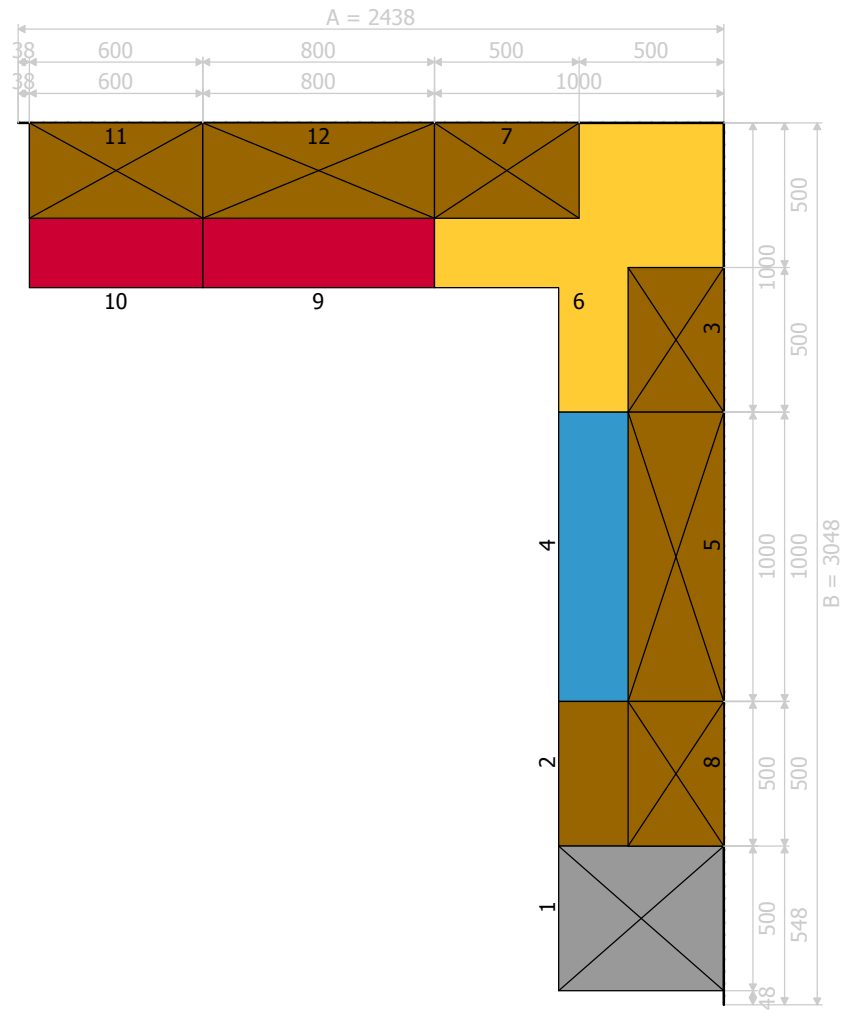


Level 2:

Level 1:



by Blum



by Blum